

# GONSET 6 METER COMMUNICATOR SCHEMATIC



801 S. Main Street Burbank, California

1069-B mbp  
 11-11-55

MODEL 3049 (6 VOLT)

COMPONENTS SUCH AS T1, T2, AND OTHERS NOT LISTED BELOW ARE SPECIAL AND SHOULD BE ORDERED BY SPECIAL ORDER. RESISTOR VALUES ARE 10% TOLERANCE. VOLTAGES SHOULD BE MEASURED WITH A DIODE TYPE VOLTMETER EXCEEDING 10 MEGOHMS AND AN ISOLATING RESISTOR IN THE PROBE (SUCH AS RCA VOLTOHMIST). ON SOME MODELS THE RESISTORS ON SWITCH SW1 HAVE BEEN TRANSPOSED. FUSES ARE 2 AMP FOR 115 VOLT OPERATION (LOCATED IN HOT LEAD) AND 10 AMP FOR 12 VOLT OPERATION (IN HOT LEAD). NOTE: ON SOME MODELS SPECIAL "TREE" FUSES ARE USED IN AC LINE PLUG (OBTAINABLE AT MOST DIME STORES).

## XMTR. CAPACITORS

- C1 10 uuF-10% Ceramic NPO
- C2 50 uuF-10% Ceramic-neg. 750
- C3 .001 uF-GMV disc ceramic
- C4 50 uuF-5% Ceramic-neg. 750
- C5 .01 uF-GMV disc ceramic
- C6 35 uuF APC
- C7 100 uuF-20% Ceramic-neg. 750
- C8 .001 uF-GMV disc Ceramic
- C9 10 uuF-10% Ceramic-neg. 750
- C10 15 uuF APC
- C11 35 uuF APC
- C12 470 uuF-10% Silver Mica
- C13 .001 uF-GMV disc ceramic
- C14 470 uuF-1000 V. Ceramic
- C15 100 uuF-1000 V. Ceramic-Silver Mica
- C16 25 uuF APC
- C17 50 uuF APC
- C18 1.5 uuF-10% Ceramic NPO
- C19 470 uuF-GMV disc ceramic
- C20 100 uuF-5% Ceramic-neg. 750
- C21 100 uuF-5% Ceramic-neg. 750
- C22 .001 uF-20% Disc ceramic
- C23 .001 uF-20% disc ceramic
- C24 .01 uF-GMV disc ceramic
- C25 .004 uF-20% disc ceramic
- C26 .001 uF-20% disc ceramic
- C27 .01 uF-GMV disc ceramic
- C28 25 uF @ 50 V. )
- C29 8 uF @ 450 V. ) 85°C Electrolytic
- C30 25 uF @ 50 V. )
- C31 .001 uF-20% disc ceramic
- C32 100 uuF-20% disc ceramic
- C33 .0068 uF-1600 V. Tubular
- C34 .001 uF-20% disc ceramic
- C35 .001 uF-20% disc ceramic
- C36 .001 uF-20% disc ceramic

## RCVR. CAPACITORS

- C37 .001 uF-20% disc ceramic
- C38 .001 uF-20% disc ceramic
- C39 .001 uF-20% disc ceramic
- C40 3 uuF-10% Ceramic NPO
- C41 .75 uuF-10% Ceramic NPO
- C42 RF trimmer on C43
- C43 Special 3 Gang
- C44 .001 uF-GMV disc ceramic
- C45 62 uuF-2% Ceramic-neg. 150
- C46 62 uuF-2% Ceramic-neg. 150
- C47 10 uuF-Ceramic NPO
- C48 Oscillator trimmer on C43
- C49 .0047 uF-20% disc ceramic
- C50 .01 uF-GMV disc ceramic
- C51 .01 uF-GMV disc ceramic
- C52 .001 uF-20% disc ceramic
- C53 50 uuF-10% Ceramic NPO
- C54 .01 uF-GMV disc ceramic
- C55 Coupling adjustment in some sets-  
Replace with identical value where used.
- C56 .001 uF-20% disc ceramic
- C57 .01 uF-GMV disc ceramic
- C58 .01 uF-GMV disc ceramic
- C59 .01 uF-GMV disc ceramic
- C60 .01 uF-GMV disc ceramic
- C61 Coupling adjustment in some sets-  
Replace with identical value where used.
- C62 100 uuF-20% Ceramic GP
- C63 .01 uF-GMV disc ceramic
- C64 .01 uF-GMV disc ceramic
- C65 50 uuF-20% Ceramic GP
- C66 .0047 uF 20% disc ceramic
- C67 .001 uF-GMV disc ceramic
- C68 470 uuF-20% disc ceramic
- C69 .01 uF-GMV disc ceramic
- C70 0.47 uF-200V. paper
- C71 .01 uF-GMV disc ceramic
- C72 .01 uF-GMV disc ceramic

- C73 0.1 uF tubular
- C74 0.1 uF tubular
- C75 .01 uF-GMV disc ceramic
- C76 .001 uF-20% disc ceramic
- C77 .001 uF-GMV disc ceramic
- C78 .001 uF-GMV disc ceramic
- C79 .01 uF-GMV disc ceramic
- C80 .01 uF-GMV disc ceramic
- C81 .01 uF-GMV disc ceramic
- C82 .001 uF-GMV disc ceramic
- C83 .001 uF-GMV disc ceramic
- C84 .01 uF-GMV disc ceramic
- C85 .001 uF-GMV disc ceramic
- C99 Coupling adjustment on some sets-  
Replace with identical value where used.

## POWER SUPPLY CAPACITORS

- C86 .001 uF-20% disc ceramic
- C87 .001 uF-20% disc ceramic
- C88 .001 uF-20% disc ceramic
- C89 .001 uF-20% disc ceramic
- C90 .001 uF-20% disc ceramic
- C91 .01 uF-GMV disc ceramic
- C92 .001 uF-20% disc ceramic
- C93 .001 uF-20% disc ceramic
- C94 .001 uF-20% disc ceramic
- C95 .05 uF 1600V. tubular
- C96 12 uF 450V. 85°C Electrolytic
- C97 30 uF 450V. 85°C Electrolytic
- C98 0.1 uF Tubular

## XMTR. RESISTORS

- R1 100 K 1/2 watt
- R2 82 ohm 1/2 watt
- R3 100K-1 watt

# TIC DIAGRAM

SYMBOL DESIGNATION. ALL  
HAVING AN INPUT RESISTANCE  
ME UNITS, SECTIONS F AND  
LINE PLUG), 20 AMP FOR 6  
AL NOMA ELECTRIC "CHRISTMAS

CONNECTOR	MATING CONNECTOR (Not Furnished)
J 1	AMPHENOL #83-1SP
J 3	PL-68
J 4	CINCH #M-93

R4 18 K  $\frac{1}{2}$  watt  
R5 27 K  $\frac{1}{2}$  watt  
R6 82 ohm  $\frac{1}{2}$  watt  
R7 4.7 megohm  $\frac{1}{2}$  watt  
R8 4.7 megohm  $\frac{1}{2}$  watt  
R9 22 K  $\frac{1}{2}$  watt  
R10 4.7 K  $\frac{1}{4}$  watt-2 in parallel  
R11 22 K 2 watt  
R12 27 K  $\frac{1}{2}$  watt  
R13 100 K  $\frac{1}{2}$  watt  
R14 1.2 megohm  $\frac{1}{2}$  watt  
R15 680 ohm  $\frac{1}{2}$  watt  
R16 47 K  $\frac{1}{2}$  watt  
R17 100 K Pot. A.F.T.  
R18 100 K  $\frac{1}{2}$  watt  
R19 270 K  $\frac{1}{2}$  watt  
R20 3.9 K  $\frac{1}{2}$  watt  
R21 470 K  $\frac{1}{2}$  watt  
R22 470 K  $\frac{1}{2}$  watt  
R23 12 K  $\frac{1}{2}$  watt  
R24 820 ohm 1 watt  
R25 390 ohm 1 watt  
R26 39 K  $\frac{1}{2}$  watt  
R27 39 K  $\frac{1}{2}$  watt  
R28 1.2 megohm  $\frac{1}{2}$  watt  
R29 270 K  $\frac{1}{2}$  watt

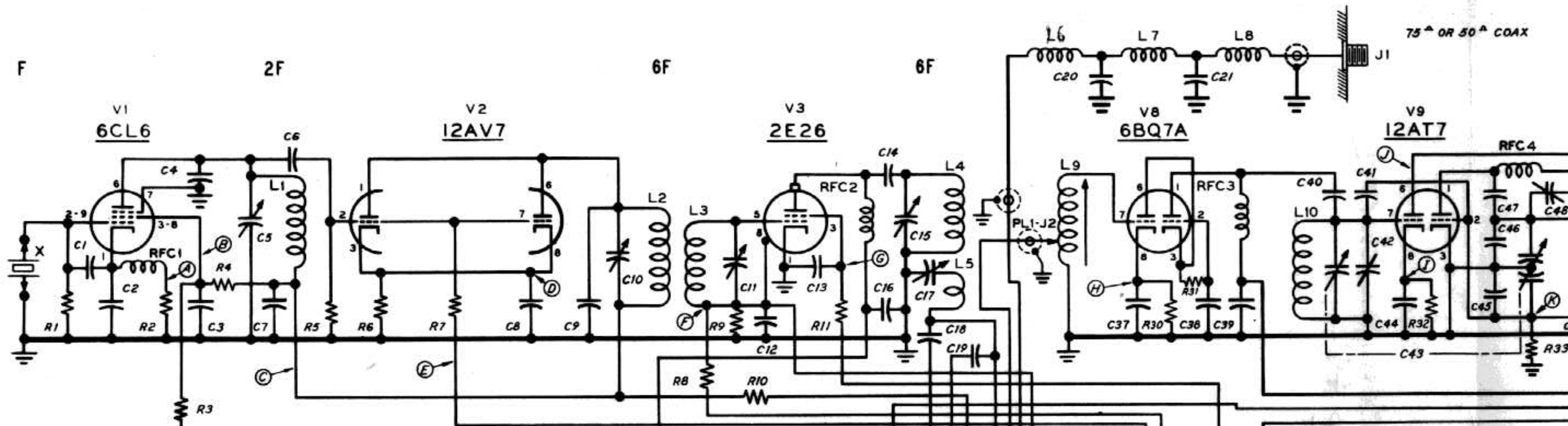
## RCVR. RESISTORS

R30 120 ohm  $\frac{1}{2}$  watt  
R31 470 K  $\frac{1}{2}$  watt  
R32 4.7 K  $\frac{1}{2}$  watt  
R33 10 K  $\frac{1}{2}$  watt  
R34 39 K  $\frac{1}{2}$  watt  
R35 22 K 2 watt  
R36 2.2 megohm  $\frac{1}{2}$  watt

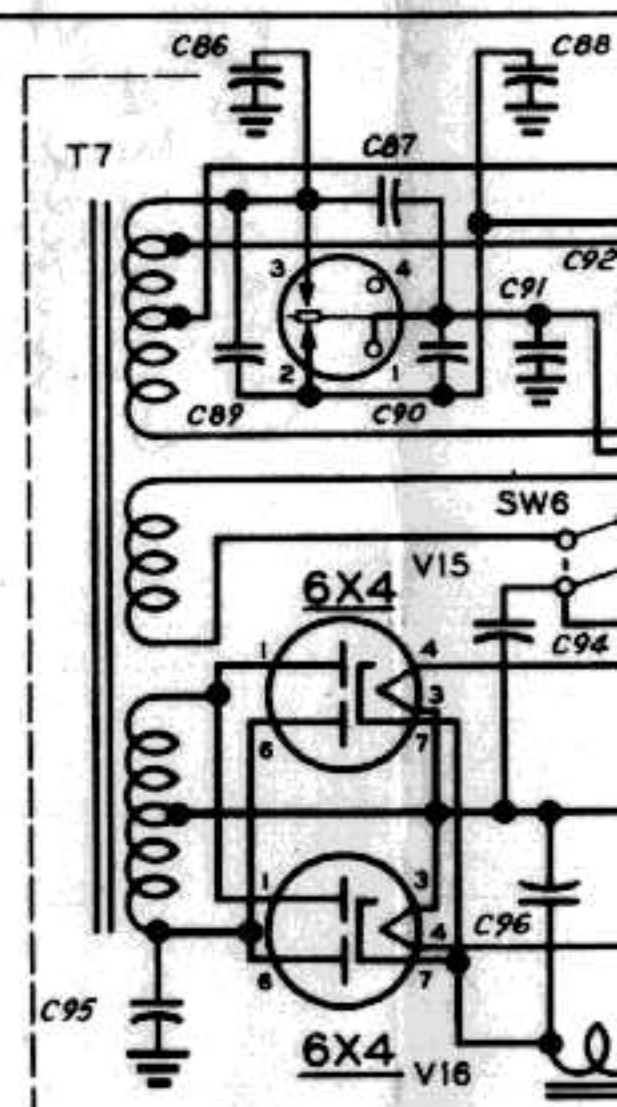
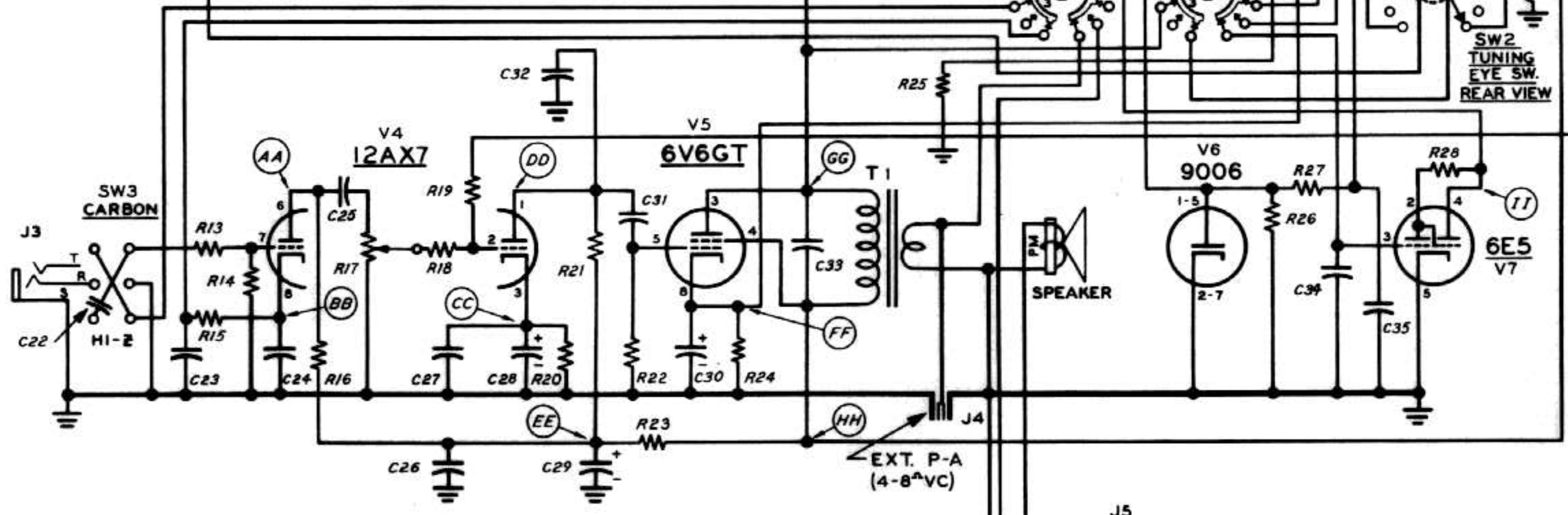
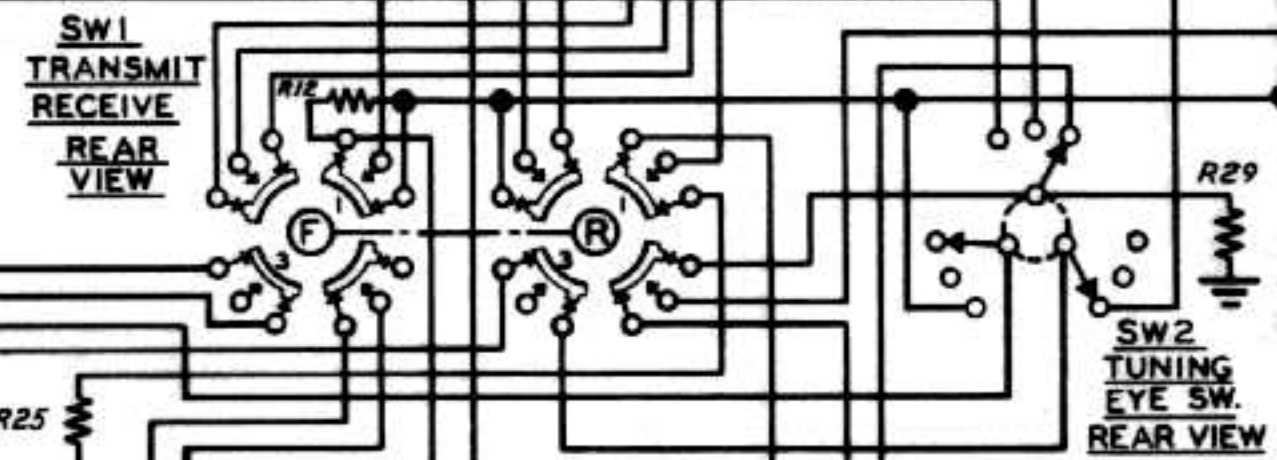
R37 100 K  $\frac{1}{2}$  watt  
R38 10 K 1 watt  
R39 220 K  $\frac{1}{2}$  watt  
R40 270 K  $\frac{1}{2}$  watt  
R41 150 ohm  $\frac{1}{2}$  watt  
R42 10 K 1 watt  
R43 100-1000 ohm variable  
R44 10 K 1 watt  
R45 1.2 megohm  $\frac{1}{2}$  watt  
R46 1 megohm  $\frac{1}{2}$  watt  
R47 270 K  $\frac{1}{2}$  watt  
R48 270 K  $\frac{1}{2}$  watt  
R49 1 megohm  $\frac{1}{2}$  watt  
R50 2.2 megohm  $\frac{1}{2}$  watt  
R51 1 megohm  $\frac{1}{2}$  watt  
R52 1 megohm  $\frac{1}{2}$  watt  
R53 150 K  $\frac{1}{2}$  watt  
R54 100 K  $\frac{1}{2}$  watt  
R55 4.7 K  $\frac{1}{4}$  watt  
R56 250 K Pot-Audio Taper  
R57 500 K Pot-Linear Taper  
R58 470 K  $\frac{1}{2}$  watt  
R59 1 megohm  $\frac{1}{2}$  watt  
R60 Masda #63 lamp  
R61 15 ohm  $\frac{1}{2}$  watt

J1 ANTENNA CONNECTOR - AMPHENOL 83-1R  
J2 RECEIVE ANTENNA JACK - CINCH 8611  
J3 MICROPHONE JACK - SWITCHCRAFT JK-43  
J4 AUXILIARY SPEAKER JACK - CINCH 8171  
J5 PHONE JACK - SWITCHCRAFT C-12A  
L12 FILTER CHOKE - MERIT #C2974  
PL1 RECEIVE ANTENNA PLUG - CINCH M-93  
PL2 POWER SUPPLY PLUG - JONES P312AB  
PL3 RECEIVE POWER PLUG - CINCH 2770  
PL4 TRANSMIT POWER PLUG - JONES P306-FHE  
RFC1 600 uH  
RFC2 18 uH  
RFC3 5.4 uH  
RFC4 5.4 uH  
RFC5 1.9 uH  
SOC1 MAIN POWER SOCKET - JONES 312CCT  
SOC2  
SOC3 RECEIVE POWER SOCKET - CINCH 2765  
SOC4 TRANSMIT POWER SOCKET - JONES S-306-AB  
SW1 TRANSMIT-RECEIVE SWITCH - SPECIAL  
SW2 TUNING EYE SWITCH - SPECIAL  
SW3 MIKE SELECTOR SWITCH - D.P.D.T. - WIRT #726  
SW4 CLIPPER SWITCH - S.P.S.T. - WIRT #723  
SW5 PILOT LIGHT SWITCH - WIRT #723  
SW6 POWER SWITCH - D.P.S.T. - CARLING #216-6 OR SMITH #522  
SW7 TRANS. FILAMENT SWITCH - S.P.S.T. - CARLING #110 OR SMITH #510  
SPEAKER - STD. 4 INCH, 1.47 oz MAGNET  
VIBRATOR - MALLORY 294, 625 OR G625C

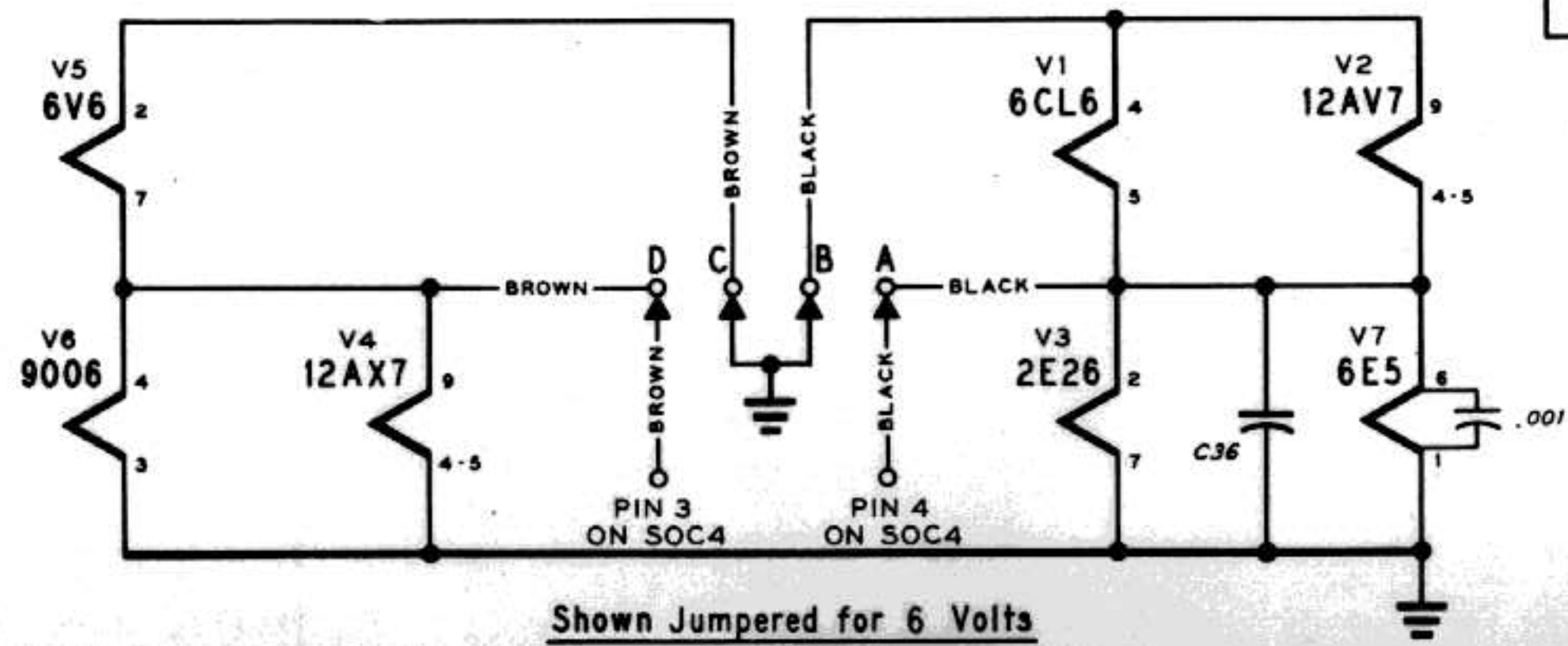
A	1.3	
B	95	
C	160	
D	1.5	
E	-80	
F	-70	
G	165	
H		1.0
I		1.5
J		52
K		-4.2
L		143
M		-1.2
N		-21.5
O		102
P		-1.2
Q		.7
R		110
S		DELETED
T		.7-5
U		95
V		-1.2
W		65
X		125
Y		190
Z		300
AA	185	300
BB	0.9	25
CC	1.3	1.6
DD	100	145
EE	225	290
FF	12	21
GG	235	295
HH	255	300
II	255	260
JJ	255	300



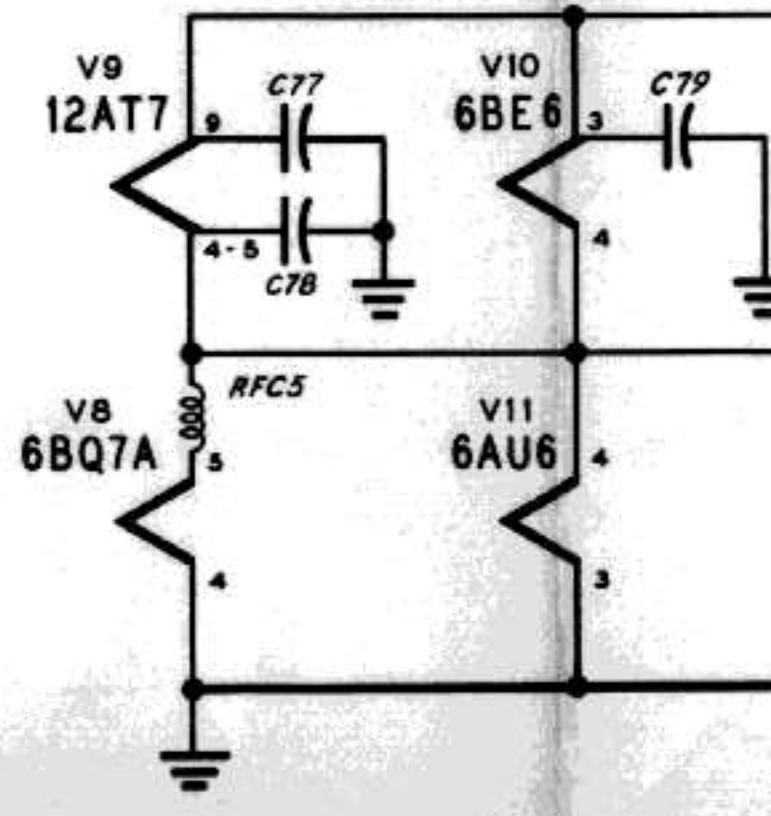
NOTE:  
SWITCH 1 (SECTIONS F & R) AND  
SWITCH 2 ARE SHOWN IN TRANSMIT  
POSITION.

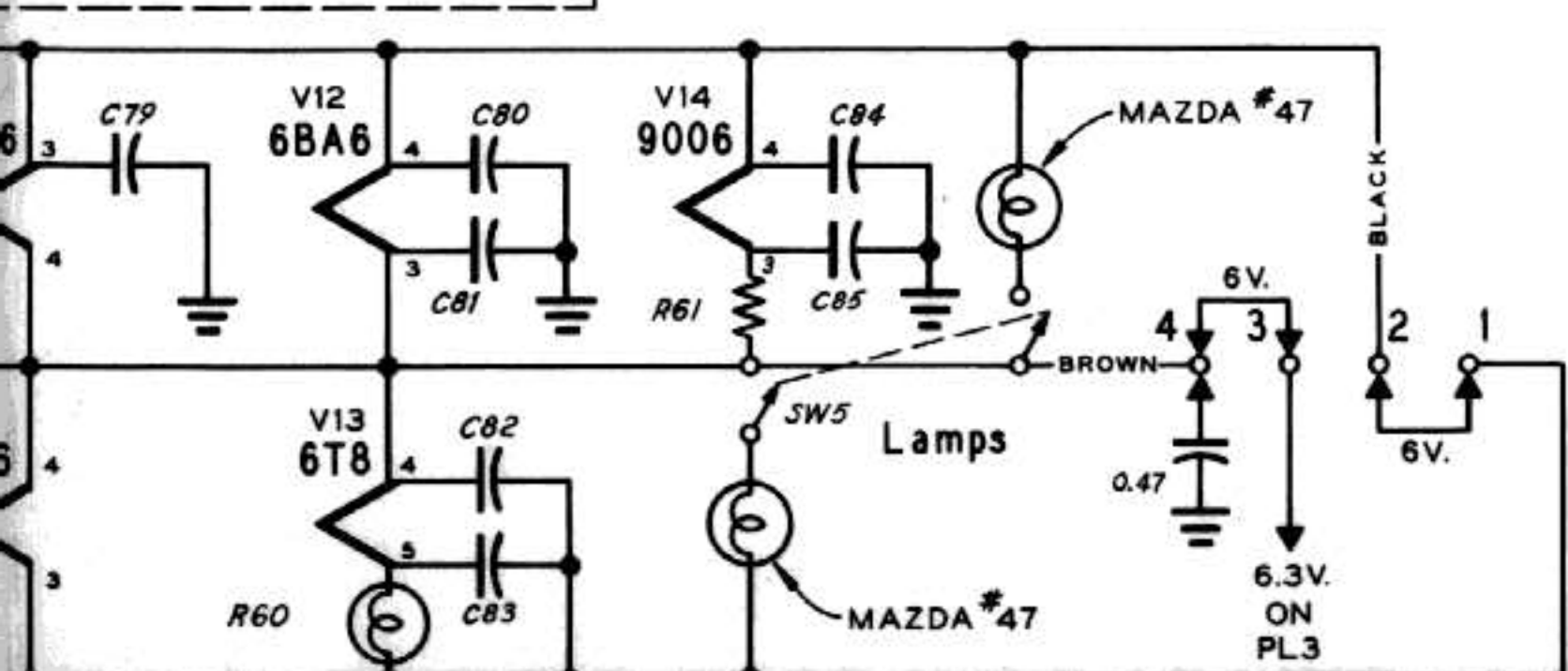
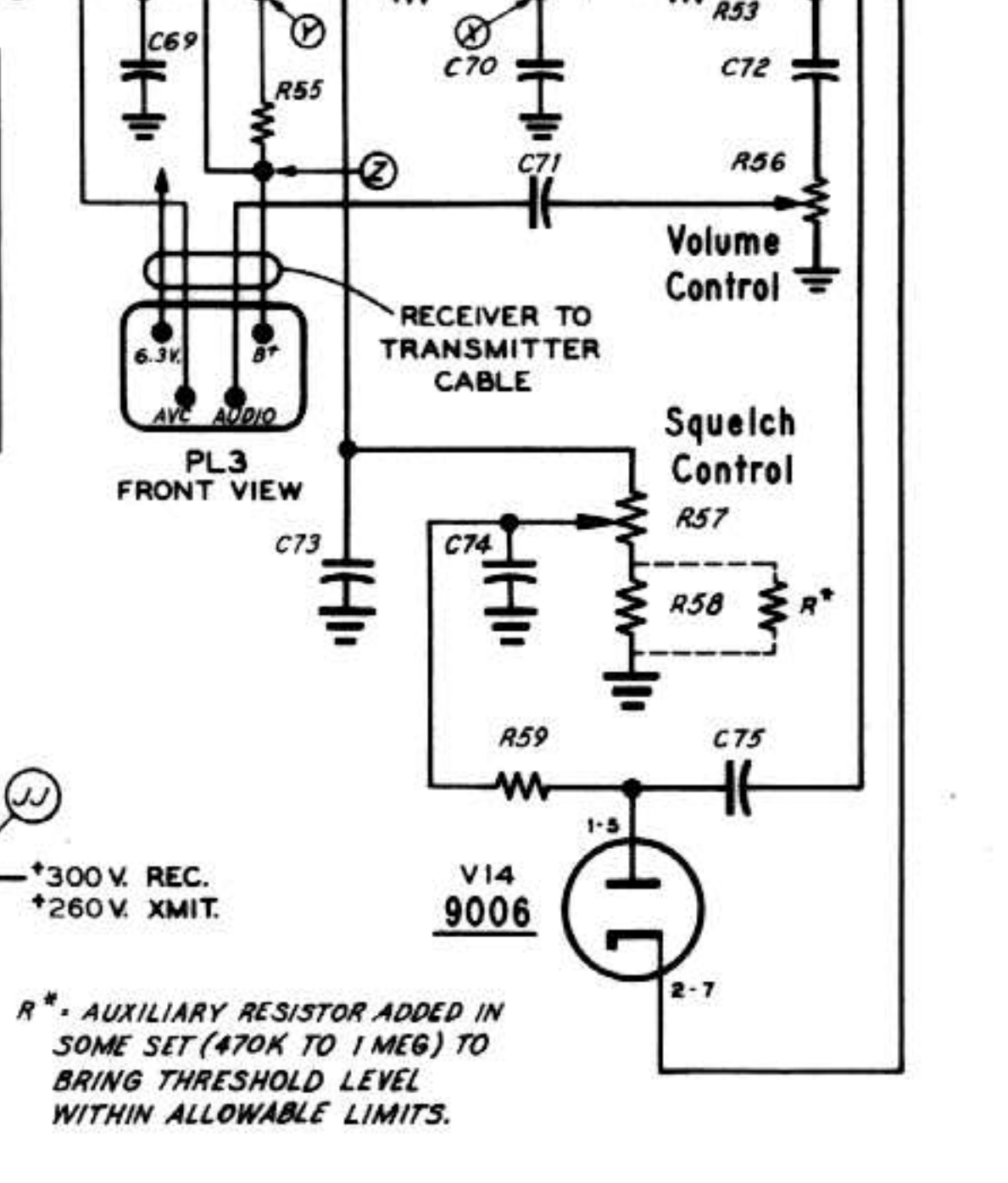
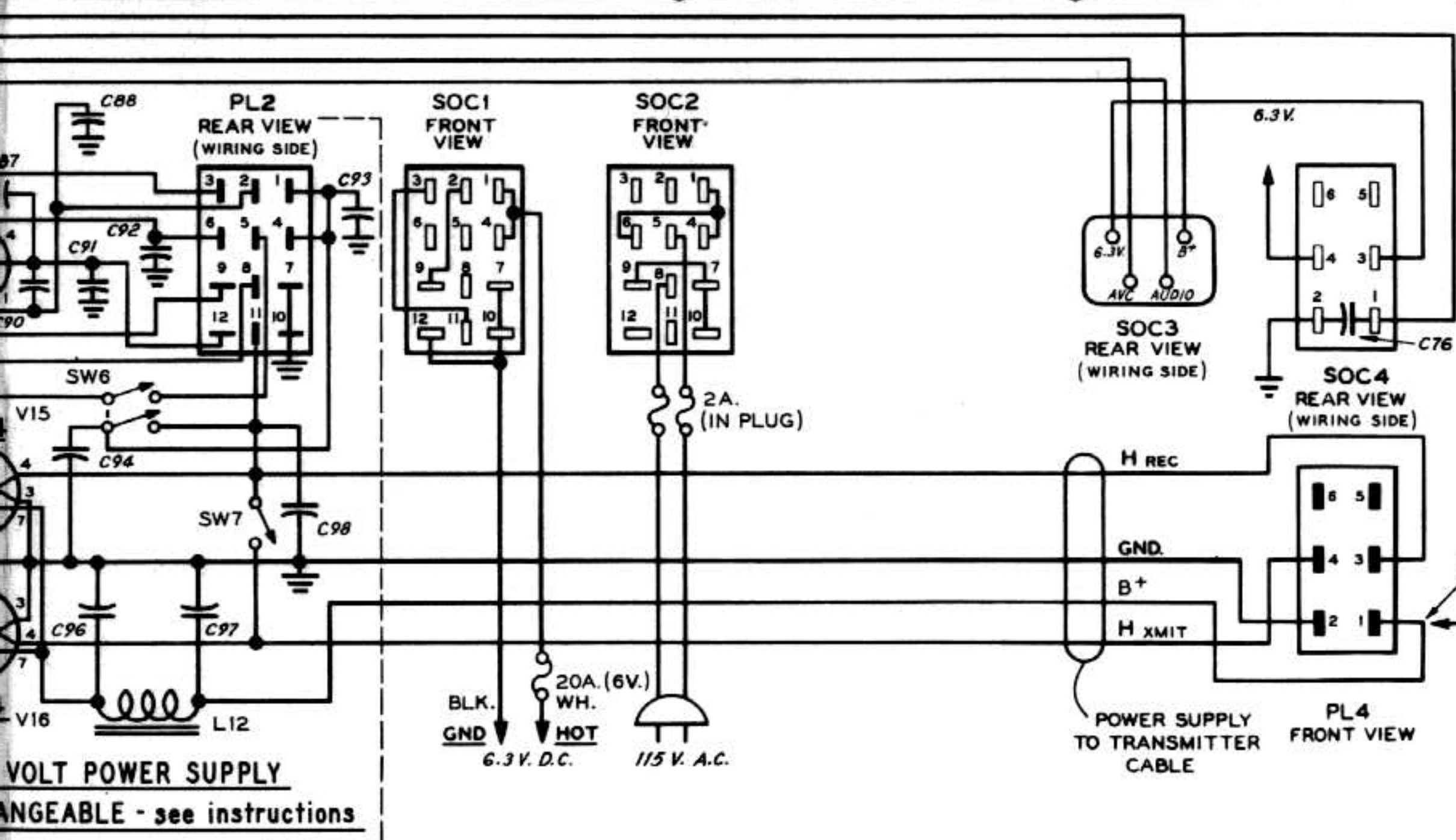
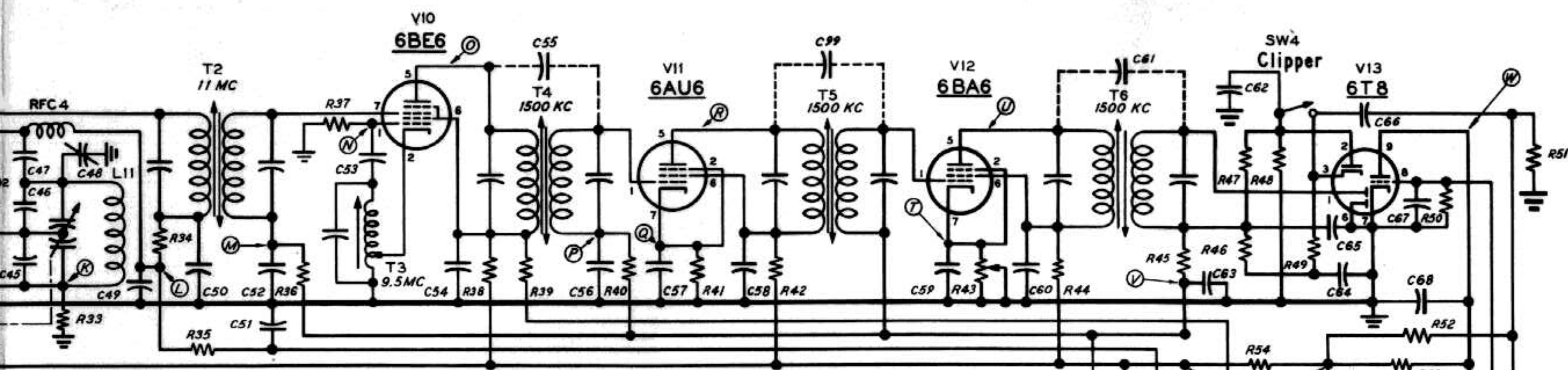


6 VOLT or 12 VOLT POW  
NOT INTERCHANGEABLE



Shown Jumpered for 6 Volts  
MODULATOR-TRANSMITTER FILAMENTS





Shown Jumpered for 6 Volts  
RECEIVER FILAMENTS

**6 METER COMMUNICATOR**  
49 - 54 MC. AM  
MODEL 3049 (6 Volt)

This Communicator contains  
CODE 'C' - Transmitter  
CODE 'D' - Receiver  
CODE 'A' - Power Supply

VOLTAGE CHART	
All voltages measured with VTVM having input resistance of at least 10 megohms. (50 ohm input, no signal)	